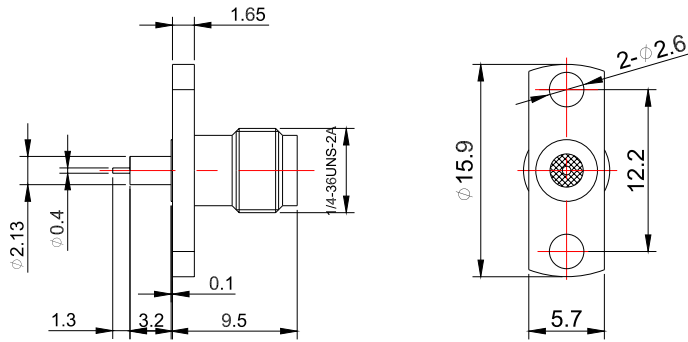


SMA Female Connector for PCB with 2 Hole Flange | DC - 26.5GHz

P/N: FR2-SMA-KFD0405A



Dimensions are in mm



Product Configuration

Body Style	Straight
Connector Series	SMA
Connector Polarity	Standard
Connector Gender	Female
Termination Type	Terminal
Connector Impedance (Ohm)	50
Mount Method	2 Hole Flange

Electrical Specifications

Frequency	DC-26.5GHz
VSWR / Return Loss	1.15
Insertion Loss	$\leq 0.1 \times \text{Sqrt}(f_GHz)$

Mechanical Data

Min. Mating Cycles	≥ 500
Weight	1.65 g
Body Material	Stainless Steel
Body Plating	Passivated

Environmental Specifications

RoHS Compliant	Yes
Operating Temperature Range	-55 °C to +165 °C